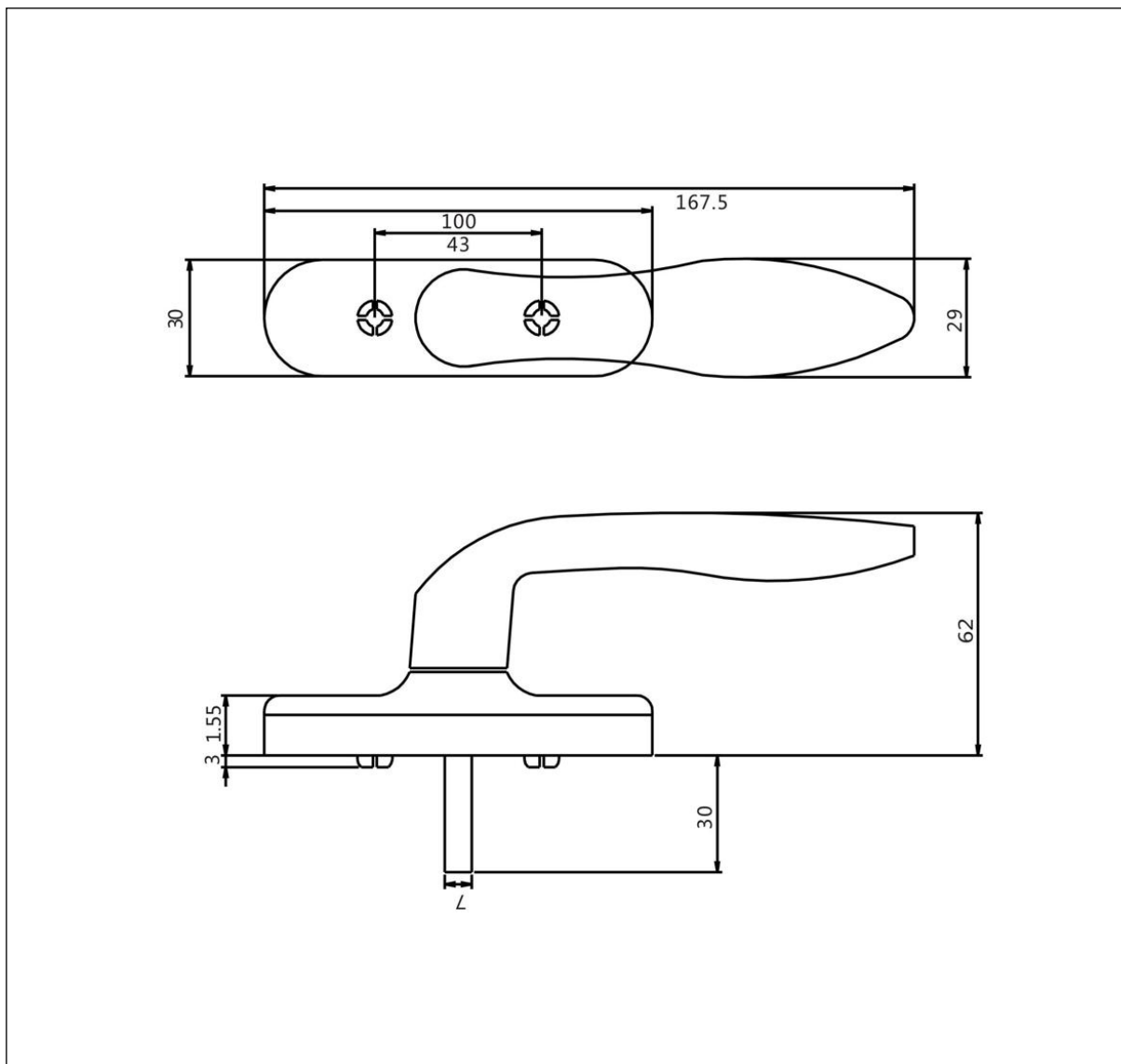


TECHNICAL DETAILS



IUSHWOK25P : Sliding Handle In Full Metal

FINISH

Powder Coated

COLORS

Black, White, Brown



MATERIAL

Aluminium

* Specification subject to change without notice